

HDPE FLAP VALVE

MODEL: GFV-R™

WALL MOUNTING

HDPE, SS316, EPDM



DESCRIPTION

The Go-Sep™ GFV flap valves have been developed to control water flow. They can be used in surface water, sewers, disposal systems with a pump and other aggressive environments where reverse flow needs to be prevented.

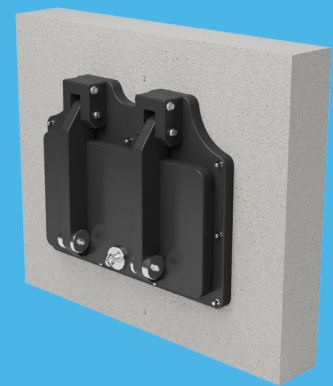
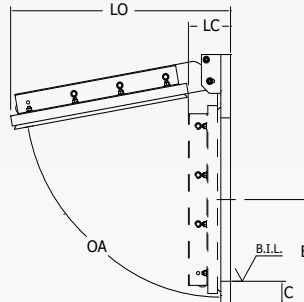
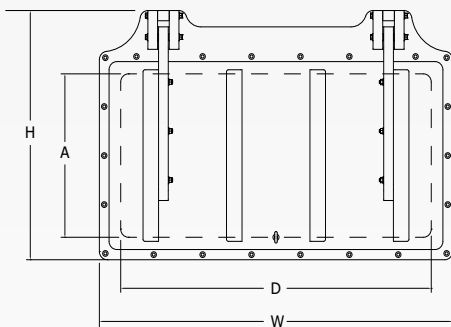
Our valves were developed and designed by Engineers in Europe and proudly made in America. Manufacturing takes place in our own factory in New Jersey. In this way we can guarantee you the best quality products and shortest lead times. We work with HDPE which is known for its lifespan of over 50 years.

These flap valves block the water by using a durable EPDM seal and are equipped with SS316 axles and ballast weights. They are designed to take a pressure of 1. m.w.c. above the culvert for 50 years and 5 m.w.c. for 72-hours from bottom invert level (B.I.L.).

The GFV-R™ valves are designed to be installed on a wall or flat surface. These valves can be fully customized to various sizes.

ADVANTAGES

- Design life of 50 years
- Maintenance free
- Light weight (easy to install)
- High UV-protection
- Low opening head of ½"
- No accumulation of debris
- Customization possible



Model name	SKU number	A inch	B inch	C inch	D inch	LO inch	LC inch	W inch	H inch	OA degrees	Weight lbs.	Fixing kit SKU
GFV-R	GFV-R	Variable	Variable	2.8	Variable	Variable	Variable	Variable	Variable	80	Variable	GFV-R-FIX

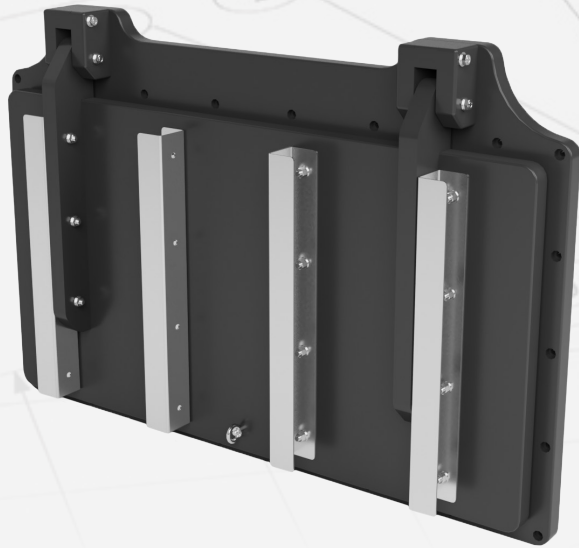
All dimensions and weights are approximate and are not guaranteed.

HDPE FLAP VALVE

MODEL: GFV-R™

WALL MOUNTING

HDPE, SS316, EPDM



DESCRIPTION

The Go-Sep™ GFV flap valves have been developed to control water flow. They can be used in surface water, sewers, disposal systems with a pump and other aggressive environments where reverse flow needs to be prevented.

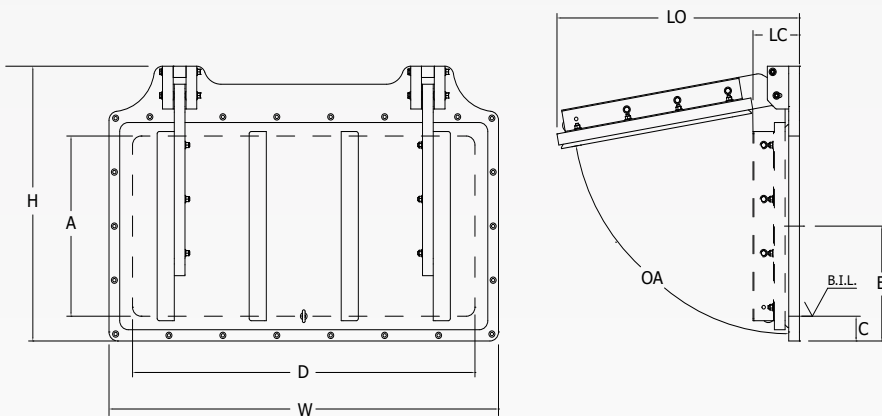
Our valves were developed and designed by Engineers in Europe and proudly made in America. Manufacturing takes place in our own factory in New Jersey. In this way we can guarantee you the best quality products and shortest lead times. We work with HDPE which is known for its lifespan of over 50 years.

These flap valves block the water by using a durable EPDM seal and are equipped with SS316 axles and ballast weights. They are designed to take a pressure of 1. m.w.c. above the culvert for 50 years and 5 m.w.c. for 72-hours from bottom invert level (B.I.L.).

The GFV-R™ valves are designed to be installed on a wall or flat surface. These valves can be fully customized to various sizes.

ADVANTAGES

- Design life of 50 years
- Maintenance free
- Light weight (easy to install)
- High UV-protection
- Low opening head of ½"
- No accumulation of debris
- Customization possible



Model name	SKU number	A inch	B inch	C inch	D inch	LO inch	LC inch	W inch	H inch	OA degrees	Weight lbs.	Fixing kit SKU
GFV-R	GFV-R	Variable	Variable	2.8	Variable	Variable	Variable	Variable	Variable	80	Variable	GFV-R-FIX

All dimensions and weights are approximate and are not guaranteed.