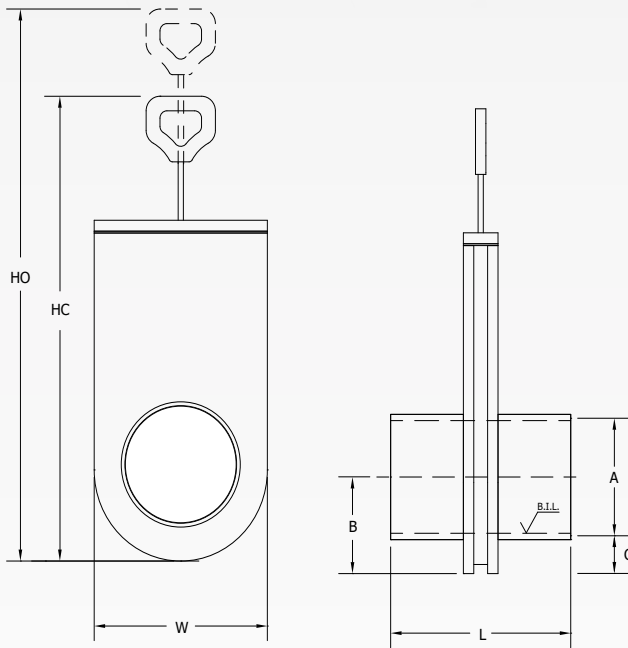


HDPE PIPE GATE

MODEL: GPG-P

PIPE CONNECTION

HDPE, SS316, EPDM



DESCRIPTION

The Go-Sep™ GPG pipe gates have been developed to control water flow in one direction by manually opening and closing the gate. This gate valve has been developed in such a way that the gate, when opened, remains open. Because we work with the right materials, our valves can be used in surface water, sewers, disposal systems and other aggressive environments.

The GPG series were developed and designed by Engineers in Europe and proudly made in America. Manufacturing takes place in our own factory in New Jersey. In this way we can guarantee you the best quality products and shortest lead times. We work with HDPE which is known for its lifespan of over 50 years.

The pipe gate blocks the water by using an EPDM seal. They are equipped with a SS316 operation rod, making them very easy to open and close. The GKV-P series are suitable for 3 m.w.c. pressure from bottom invert level (B.I.L.) and are standard provided with an spigot end.

Our gate valves are very easy to install. When installing, pay attention to the direction of the water flow. The flow direction is indicated at the top with an arrow. These gate valves are suitable for installation in non-pressured and horizontally placed sewer pipes and can be installed both above and underground. Our gate valves are available for different pipe sizes.

OPTIONAL

- Extended operating rod
- Spindle protection shaft
- Flange mounted (model GPG-F™)
- Wall mounted (model GPG-W™)
- Two way blockage (model GSG-P™)

ADVANTAGES

- Design life of 50 years
- Maintenance free
- Light weight (easy to install)
- Customization possible

Model name	SKU number	A inch	B inch	C inch	L inch	W inch	HO inch	HC inch	Weight lbs.
GPG-P 04	GPG-P-04	ø 4	5.5	3.4	13.0	10.3	31.2	23.7	13
GPG-P 05	GPG-P-05	ø 5	5.5	3.0	13.0	10.3	31.2	23.7	13
GPG-P 06	GPG-P-06	ø 6	5.5	2.4	13.0	10.3	31.2	23.7	13
GPG-P 08	GPG-P-08	ø 8	6.5	2.5	13.0	12.3	38.6	28.7	18
GPG-P 10	GPG-P-10	ø 10	7.5	2.5	13.0	18.3	44.6	32.7	29
GPG-P 12	GPG-P-12	ø 12	8.5	2.5	13.0	20.3	50.6	36.8	39

All dimensions and weights are approximate and are not guaranteed.